

Model SAM Mini 600-3

Project Name: [Click or tap here to enter text.](#)

Location: [Click or tap here to enter text.](#)

Engineer: [Click or tap here to enter text.](#)

Submitted To: [Click or tap here to enter text.](#)

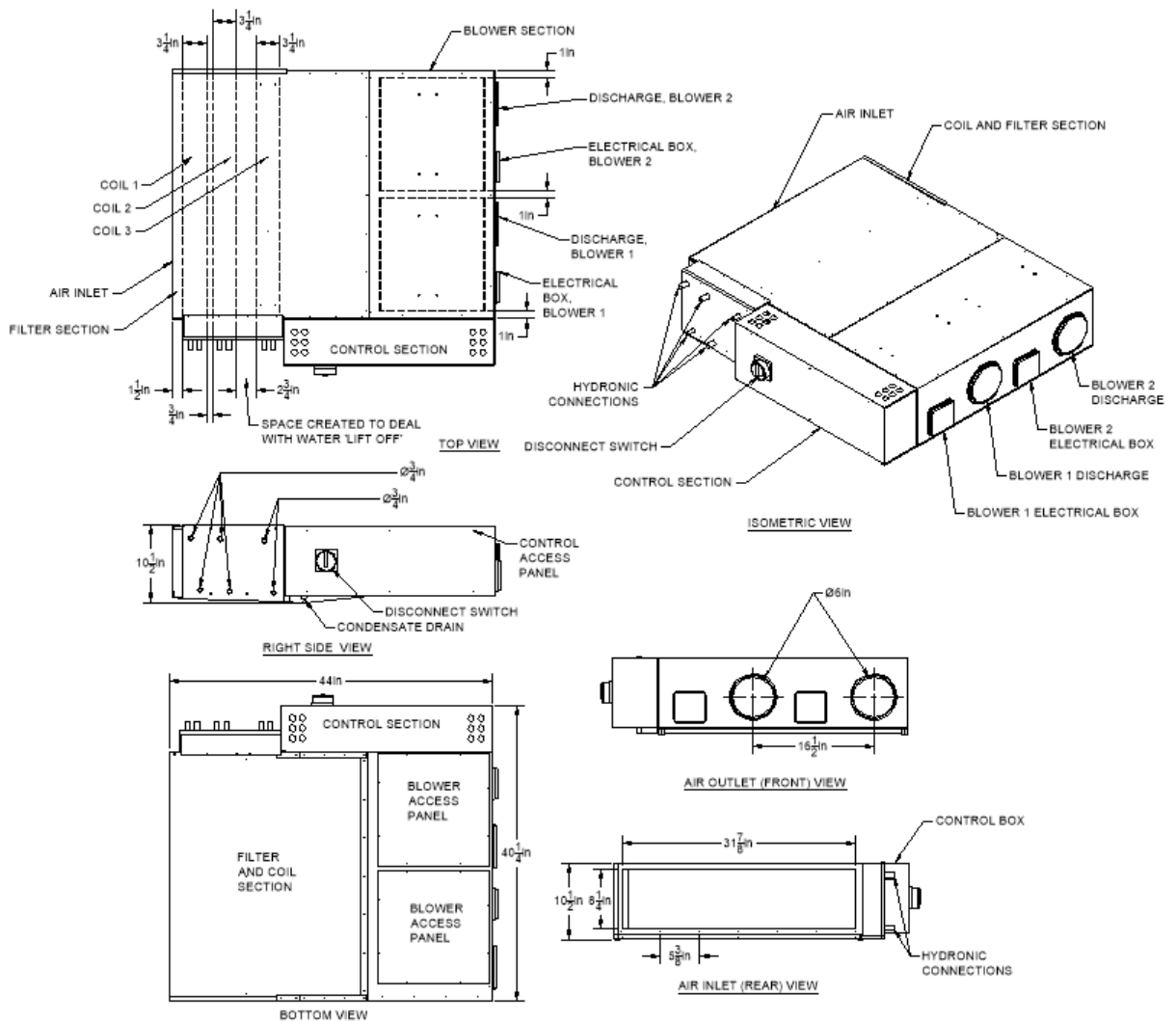
Reference: [Click or tap here to enter text.](#)

Submitted By: [Click or tap here to enter text.](#)

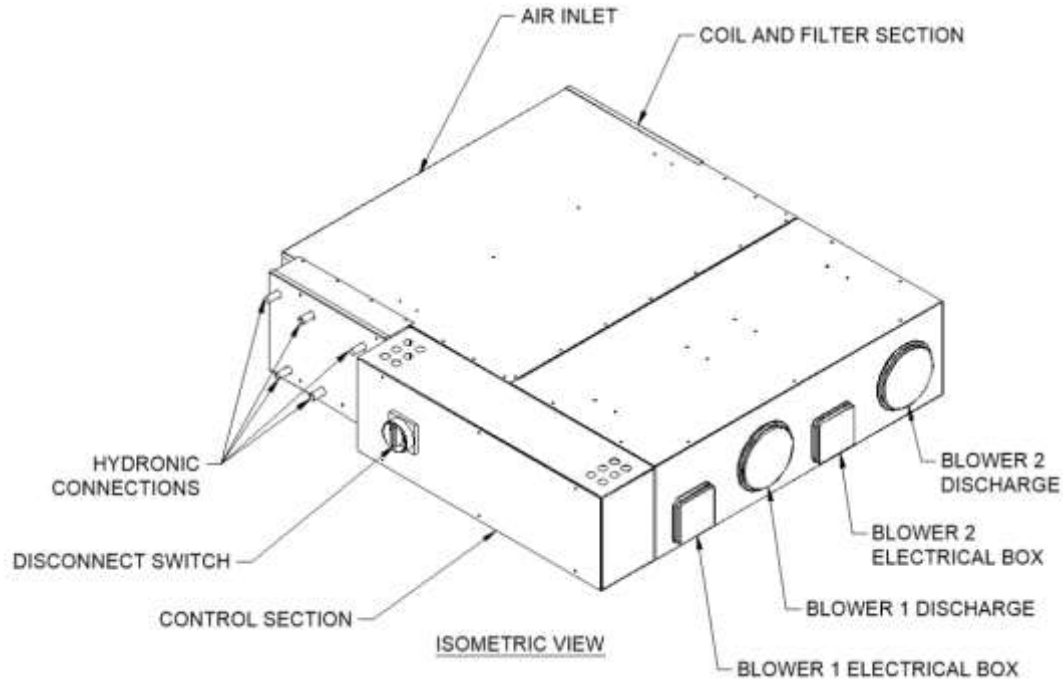
Date: [Click or tap to enter a date.](#)

Equipment Tag: [Click or tap here to enter text.](#)

For: File Resubmit Approval Other [Click or tap here to enter text.](#)



Model SAM Mini 600-3



Nominal Performance Data

Electrical Data			
Electrical Supply	MCA	RLA	HP
120 V/1P	3.25	2.0	0.322

This unit can be supplied in various configurations, Primary use as a Dehumidification Unit using coils 1 and 2 for cooling, then coil 3 as Reheat. In winter coil 3 transforms into maximum heating after primary dehumidification cycle

"A" Cooling Performance Data SUMMER ** static shown is max system static									
Max CFM	Max static (")	ENT Air (F) DB / WB	Cool Cap @ (40F) (4.4C) (Coils 1 & 2)	Cool Cap @ (36F) (2.2C) (Coils 1 & 2)	Cool Temp (F)	Reheat COIL # 3 (76F)	LEAVE air (F) DB/ WB	Water Flow (GPM)	Water Static (' ft)
600	0.4"	80 / 70	35,800		51/51	8,370	64/56.3	13/6.5	4.9'
						(78f)			
600	0.4"	80 / 70		39,440	48/48	10,460	64/55	13/6.5	4.9'
		Sensible	19,180	20,880					
		Latent	16,620	18,560					
		Condensate	15.27#/h	17.08#/h					

"B" Dehumidification Performance Data "Shoulder" ** static shown is max system static									
Max CFM	Max static (")	ENT Air (F) DB / WB	Cool Cap @ (40F) (4.4C) (Coils 1 & 2)	Cool Cap @ (36F) (2.2C) (Coils 1 & 2)	Cool Temp (F)	Reheat COIL # 3 (90F)	LEAVE air (F) DB / WB	Water Flow (GPM)	Water Static (' ft)
600	0.4"	65 / 55	35,800		51 / 51	13,700	72 / 58	13/6.5	4.9'
						(93f)			
600	0.4"	65 / 55		39,440	48/48	15,810	72/58	13/6.5	4.9'
	Sensible		19,180	20,880					
	Latent		16,620	18,560					
	Condensate		15.27#/h	17.08#/h					

"C" Cooling Performance Data "Winter" ** static shown is max system static									
Max CFM	Max static (")	ENT Air (F) DB / WB	Cool Cap @ (40F) (4.4C) (Coils 1)	Cool Cap @ (36F) (2.2C) (Coils 1)	Cool Temp (F)	Reheat COIL # 2 & 3 (120F)	LEAVE air (F) DB / WB	Water Flow (GPM)	Water Static (' ft)
600	0.4"	65 / 55	10,240		51/48.3	35,920	105 / 68	6.50	4.9'
						(120f)			
600	0.4"	65 / 55		12,770	49/46.5	36,950	105/67.5	13.0	4.94'
	Sensible		9,190	10,500					
	Latent		1,050	2,270					
	Condensate		0.96#/h	2.09#/h					

Options									
<ul style="list-style-type: none"> • 3-way Belimo Diversion valve for max flow and performance control. • Variable speed blower control for custom air flow. • Individual coils (3) can be factory set up for separate coil control coil: Coil 1 cool, Coil 2 dehumidification, Coil 3 reheat for DEHUMUDIFICATION purposes. 									