

Model SAM Mini 300-2

Project Name: [Click or tap here to enter text.](#)

Location: [Click or tap here to enter text.](#)

Engineer: [Click or tap here to enter text.](#)

Submitted To: [Click or tap here to enter text.](#)

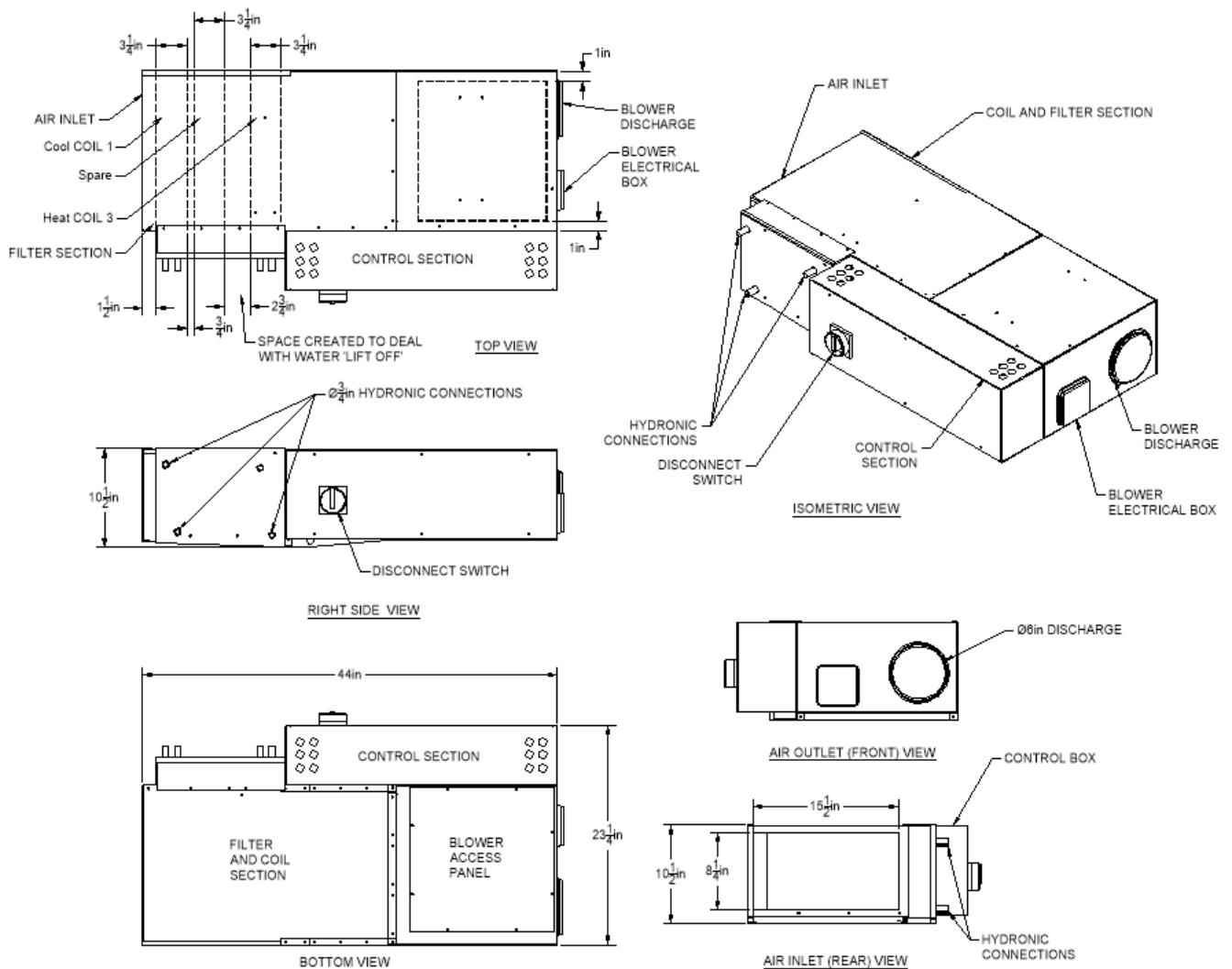
Reference: [Click or tap here to enter text.](#)

Submitted By: [Click or tap here to enter text.](#)

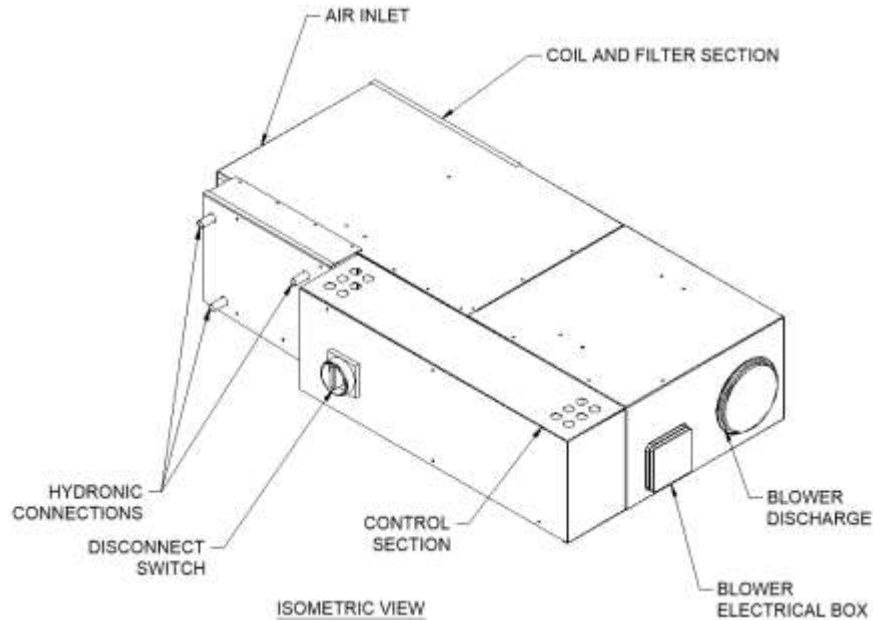
Date: [Click or tap to enter a date.](#)

Equipment Tag: [Click or tap here to enter text.](#)

For: File Resubmit Approval Other [Click or tap here to enter text.](#)



Model SAM Mini 300-2



Nominal Performance Data

Electrical Data			
Electrical Supply	MCA	RLA	HP
120 V / 1P	2.25	1.0	0.161

Cool and Heat data shown using both coils

Cooling Performance Data ** static shown is max system static							
Max CFM	Max static (")	Ent air (F) DB / WB	Cool Cap @ (40F) (4.4C) (btu/h)	Cool Cap @ (36F) (2.2C) (btu/h)	leaving air (F) DB / WB	Water Flow (GPM)	Water Static (' ft)
300	0.4"	80 / 67	15,220		50.5/49.9	8.0	1.72'
300	0.4"	80 / 67		16,980	48/47.5	8.0	1.72'
	Sensible		9,760	10,590			
	Latent		5,460	6,390			
	Condensate		5.03#/h	6.77#/h			

Heating Performance Data							
Max CFM	Max Air static (")	Ent Air (F)	Heat Cap @ (120F) (48.9C) (btu/h)	Heat Cap @ (160F) (71.1C) (btu/h)	Leaving air (F)	Water Flow (GPM)	Water Static (' ft)
300	0.4"	55	16,950		106.48	8.0	1.55'
300	0.4"	55		27,780	138.65	8.0	1.55'

Options
<ul style="list-style-type: none"> 3-way Belimo Diversion valve for max flow and performance control. Variable speed blower control for custom air flow.