

## Model SAM Mini 300-1

Project Name: [Click or tap here to enter text.](#)

Location: [Click or tap here to enter text.](#)

Engineer: [Click or tap here to enter text.](#)

Submitted To: [Click or tap here to enter text.](#)

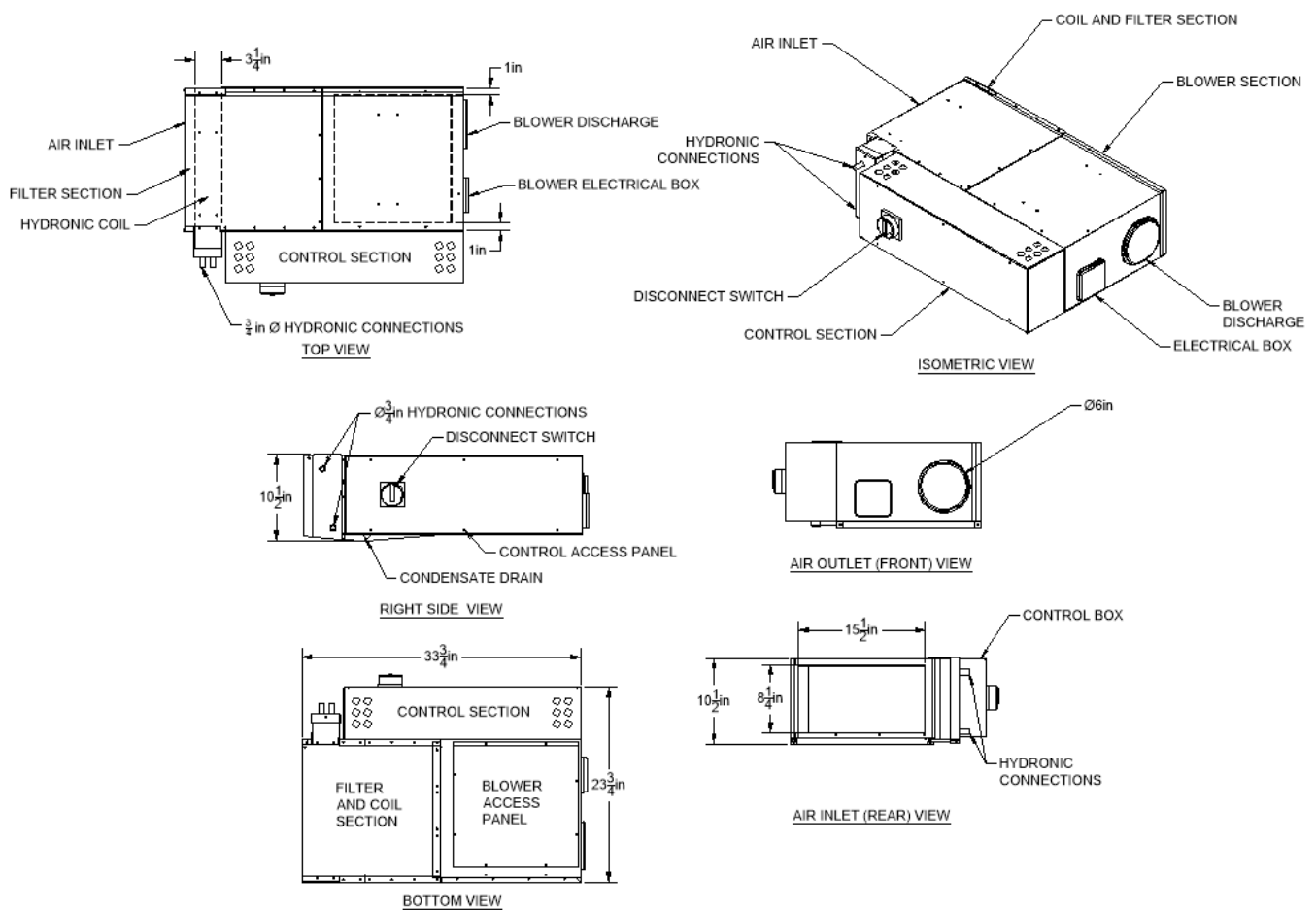
Reference: [Click or tap here to enter text.](#)

Submitted By: [Click or tap here to enter text.](#)

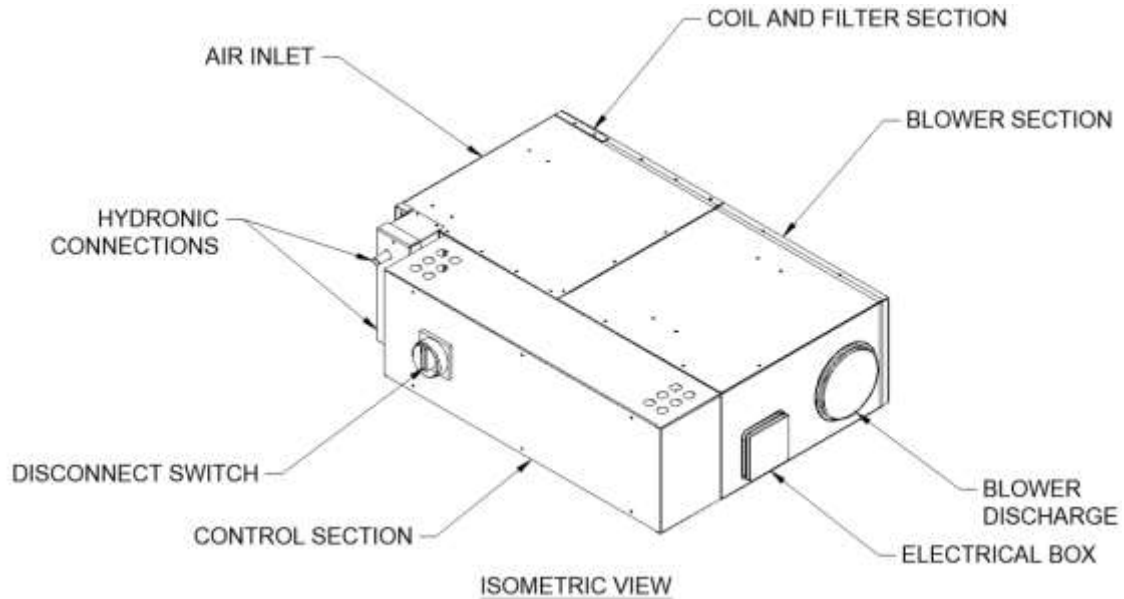
Date: [Click or tap to enter a date.](#)

Equipment Tag: [Click or tap here to enter text.](#)

For:  File  Resubmit  Approval  Other [Click or tap here to enter text.](#)



## Model SAM Mini 300-1



### Nominal Performance Data

Electrical Data			
Electrical Supply	MCA	RLA	HP
120 V / 1P	2.25	1.0	0.161

Cooling Performance Data ** static shown is max system static							
Max CFM	Max static (")	Ent air (F) DB / WB	Cool Cap @ (40F) (4.4C) (btu/h)	Cool Cap @ (36F) (2.2C) (btu/h)	Leaving air (F) DB / WB	Water Flow (GPM)	Water Static (' ft)
300	0.4"	80/67	9,690		59.8/56.8	4.0	1.71'
300	0.4"	80/67		10,810	58.4/55.5	4.0	1.72'
	Sensible		6,690	7,170			
	Latent		3,000	3,640			
	Condensate		2.76#/h	3.35#/h			

Heating Performance Data							
Max CFM	Max Air static (")	Ent Air (F)	Heat Cap @ (120F) (48.9C) (btu/h)	Heat Cap @ (160F) (71.1C) (btu/h)	Leaving air (F)	Water Flow (GPM)	Water Static (' ft)
300	0.4"	55	11,570		90.4	4.0	1.55'
300	0.4"			18,950	112.87	4.0	1.49'

Options
<ul style="list-style-type: none"> <li>• 3-way Belimo Diversion valve for max flow and performance control.</li> <li>• Variable speed blower control for custom air flow.</li> </ul>