

Model SAM M-6 Blower

Project Name: Click or tap here to enter text.

Location: Click or tap here to enter text.

Engineer: Click or tap here to enter text.

Submitted To: Click or tap here to enter text.

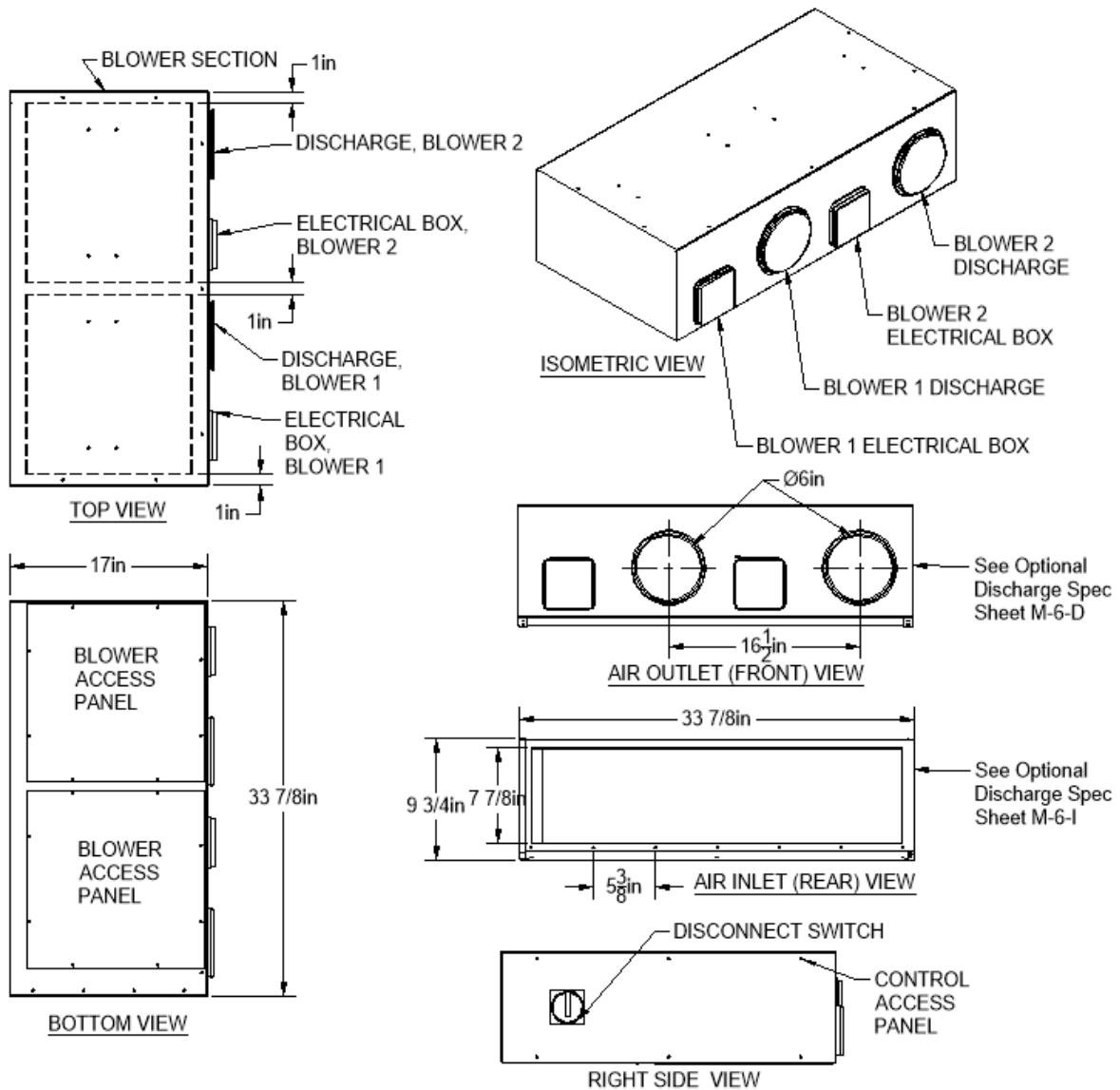
Reference: Click or tap here to enter text.

Submitted By: Click or tap here to enter text.

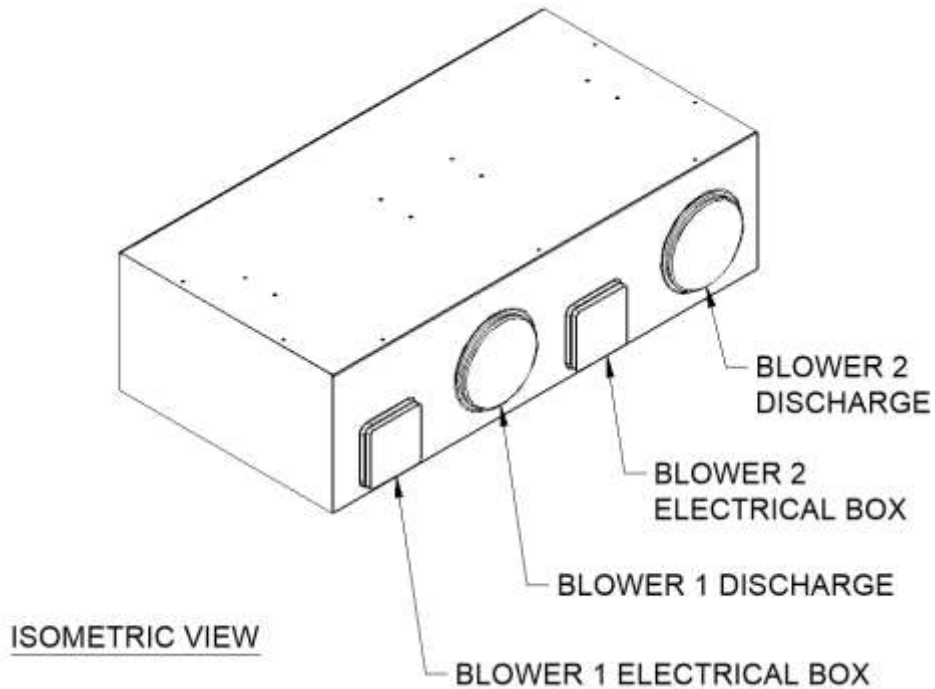
Date: Click or tap to enter a date.

Equipment Tag: Click or tap here to enter text.

For: File Resubmit Approval Other [Click or tap here to enter text.](#)



Model SAM M-6 Blower



Nominal Performance Data

Model	M-6
Voltage	120v 1p
Watts* (amps *, Indicated at 0.2 in WG)	238
Amps	2
Weight	16 lbs
CFM vs Static Pressure (Inches)	
Static Pressure	CFM
0"	720
0.1"	696
0.2"	664
0.3"	632
0.4"	604
0.5"	578