

Model SAM M-3 Blower

Project Name: [Click or tap here to enter text.](#)

Location: [Click or tap here to enter text.](#)

Engineer: [Click or tap here to enter text.](#)

Submitted To: [Click or tap here to enter text.](#)

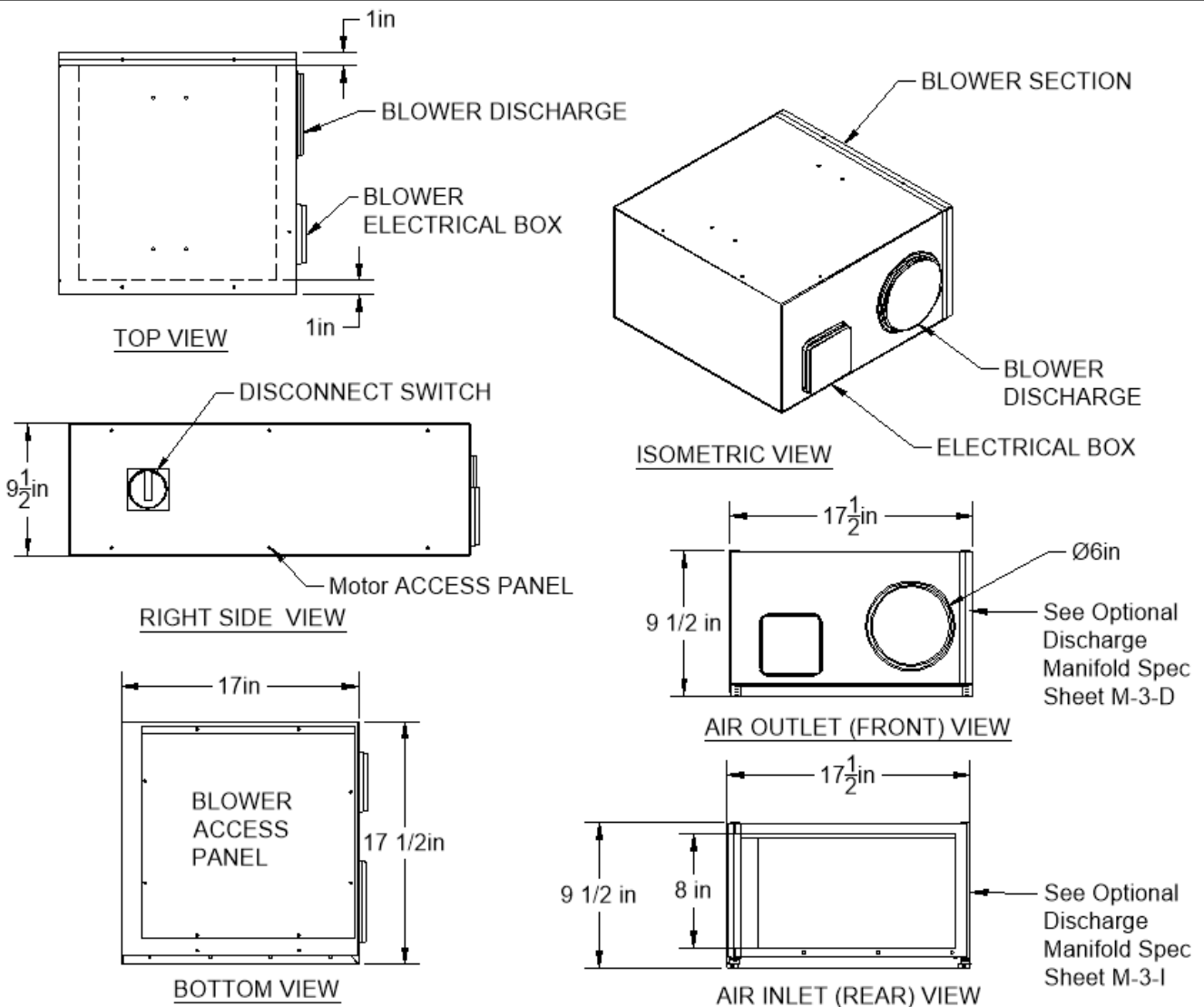
Reference: [Click or tap here to enter text.](#)

Submitted By: [Click or tap here to enter text.](#)

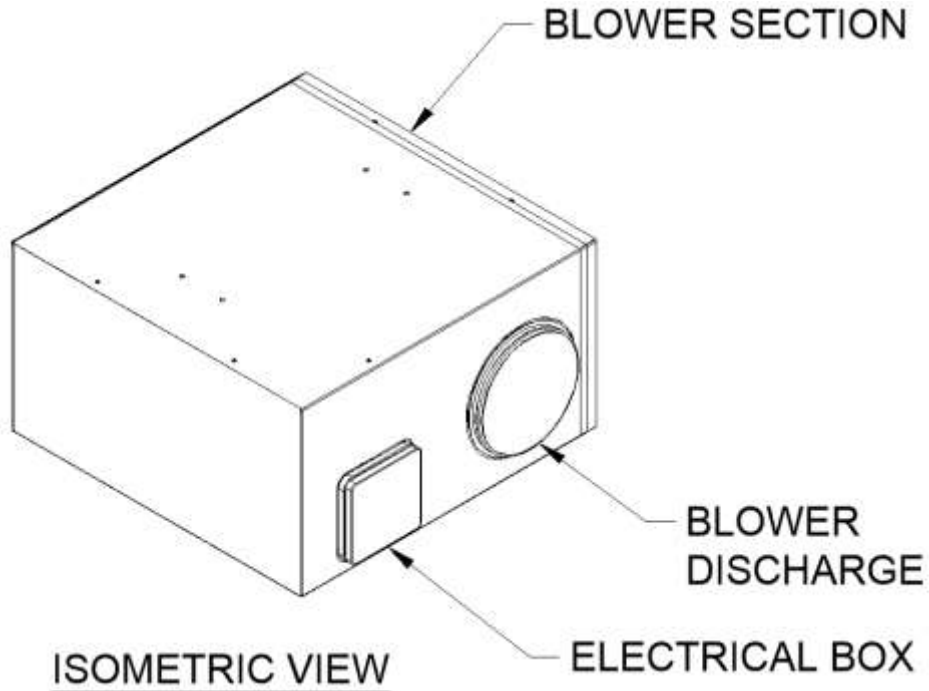
Date: [Click or tap to enter a date.](#)

Equipment Tag: [Click or tap here to enter text.](#)

For: File Resubmit Approval Other [Click or tap here to enter text.](#)



Model SAM M-3 Blower



Nominal Performance Data

Model	M-3
Voltage	120v 1p
Watts* (amps *, Indicated at 0.2 in WG)	119
Amps	1
Weight	11.5 lbs
CFM vs Static Pressure (Inches)	
Static Pressure	CFM
0"	360
0.1"	348
0.2"	332
0.3"	316
0.4"	302
0.5"	289